



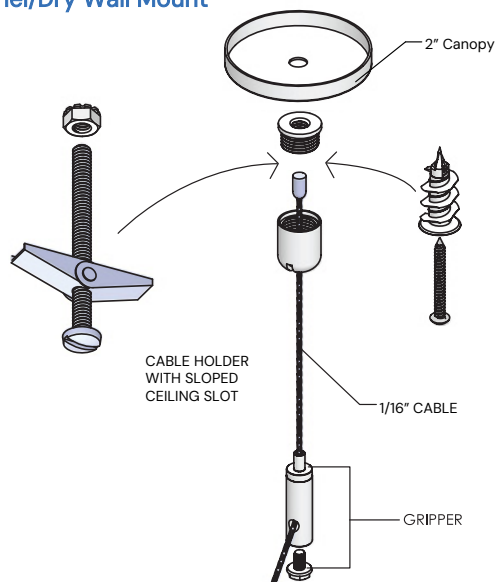
13995 INSTALLATION INSTRUCTIONS FOR: Track Lighting Channel Stem Suspension Mount

Safety Precautions:

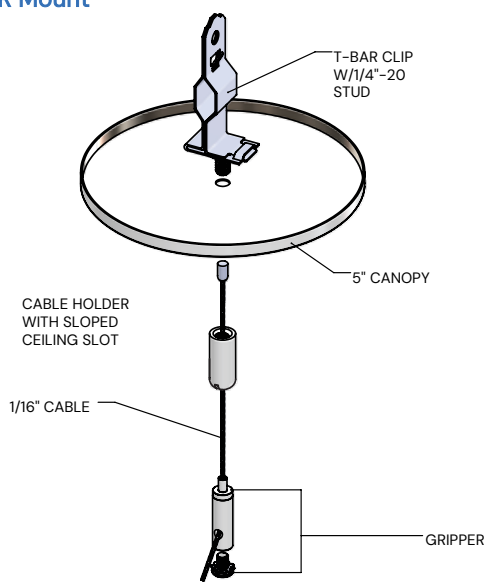
- **Read Carefully:** Prior to installation or servicing, thoroughly read and understand all safety precautions and instructions. Failure to follow these guidelines may result in serious injury, electric shock, or property damage.
- **Qualified Installation:** It is strongly recommended that all wiring be performed by a licensed electrician. This mount must be installed in compliance with all national and local electrical codes.
- **Avoid Wet Conditions:** Do not handle or attempt to energize the fixture with wet hands, or while standing on wet surfaces or in water. Do not install within 10 ft or less from the nearest edge of a pool, spa, fountain, or similar location



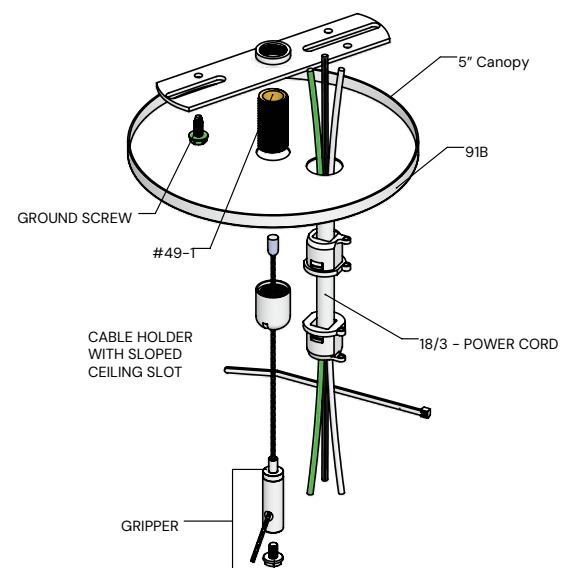
Panel/Dry Wall Mount



T-BAR Mount



J-BOX Mount & Power Feed



WARNING: RISK OF FIRE AND ELECTRICAL SHOCK. FIXTURE MUST BE INSTALLED BY A QUALIFIED ELECTRICIAN ONLY IN ACCORDANCE WITH NATIONAL, LOCAL BUILDING AND ELECTRICAL CODES. DISCONNECT POWER AT ELECTRICAL PANEL BEFORE SERVICING.

Power Safety

- Always disconnect power before installing, wiring, or performing maintenance on the fixture.
- Before beginning any wire connections, turn off power by switching off the circuit breaker or removing the fuse at the fuse panel. Simply turning off the light switch is not enough to prevent electrical shock.

Supply Wire Rating

- Ensure the luminaire is connected to supply wires rated for 90°C. Homes built before 1985 may have wiring rated for 60°C. Consult a qualified electrician before installation.

Fixture Temperature

- Ensure the fixture has cooled down before performing any maintenance or service.

Voltage Check

- Verify the input voltage of the fixture before connecting it to the power source.

Risk of Shock

- This fixture is suitable for use in dry and damp locations. It is also designed for use with covered ceiling mounts.

Safe Clearance

- Do not install the fixture or any of its components closer than 6 inches to any curtain, drapery, or similar combustible material.

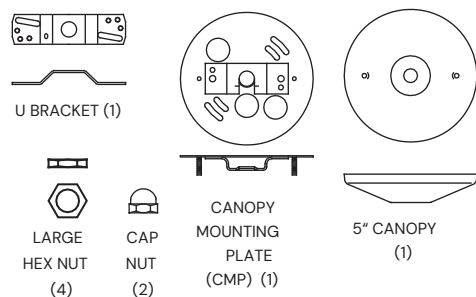
GFCI Protection

- The fixture must be installed on a circuit that is protected by a Ground Fault Circuit Interrupter (GFCI).

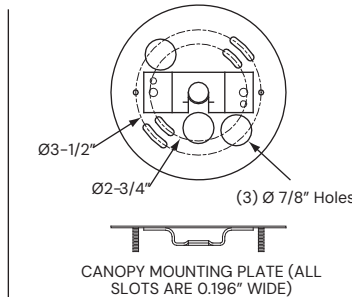
Circuit Compatibility

- Install LED fixture(s) and LED driver(s) on a dedicated circuit. Do not mix with other lighting products (e.g., Incandescent, Compact Fluorescent, HID) on the same circuit.
- Do not use other electrical equipment (e.g., surge protectors, photocells) on the same circuit unless they are rated for use with LED fixtures and drivers.

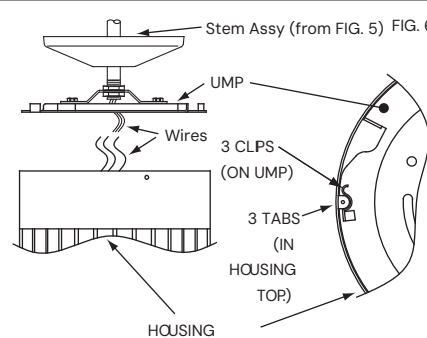
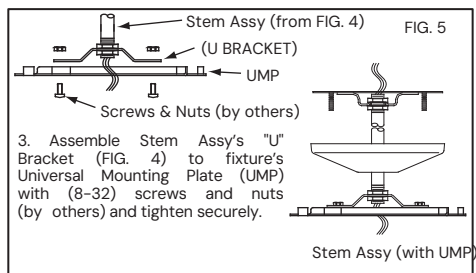
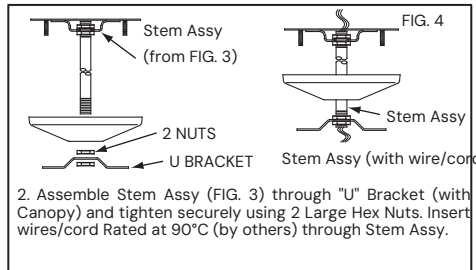
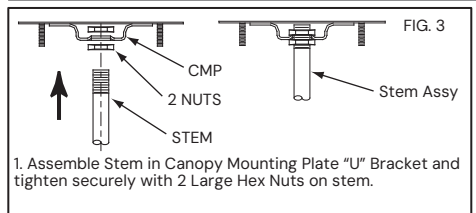
Components / Parts (Canopy)



Components Dimensions Tools Required

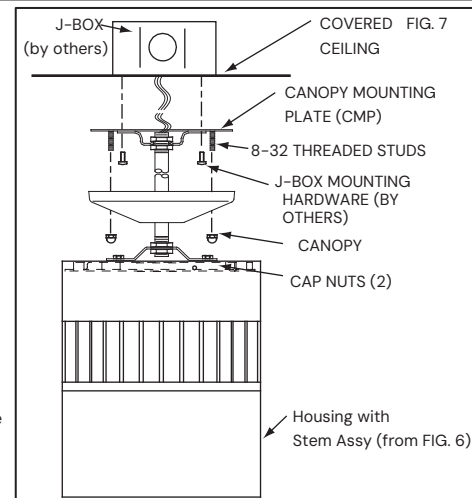


- Phillips Head Sc eawdriver
- Crescent/Adjustable Wrench(s)
- Wire Connectors/Cord (Rated at 90°C minimum temperature)
- Hardware (screws, nuts, etc.)
- DO NOT USE POWER TOOLS.
- ONLY USE HAND TOOLS.



WARNING: Check fixture for input voltage before connecting fixture wires to wires in the stem.

- Connect wire/conductors in the stem assembly to the fixture wires (ground wire green or bare copper to screw/connector from the fixture, neutral (common) wire in the stem to the neutral wire from the fixture and the line/lead wire in the stem to the line (lead) wire from the fixture).
- Secure connection using UL Listed wire nuts/connectors and then with UL Listed Electrical tape rated at 90°C (by others, as required), appropriate for the connection.
- Secure UMP in Housing by putting the three (3) Tabs in the top of the Housing securely in the UMP Clips. Make sure the top of UMP is at the top of the fixture (see FIG. 7).



WARNING: Check fixture for input voltage before connecting power to fixture. Connect wiring in j-box.

- Connect the power supply wiring (from j-box) to fixture wiring in j-box.
- Secure CMP (on Stem Assy with Housing) to Covered Ceiling J-BOX (by others) using J-BOX hardware.
- Put Canopy up through 8-32 threaded studs in Canopy Mounting Plate (CMP) and secure tightly with supplied two (2) Cap Nuts.